

# FAR-OFF DISPLAY RD2 and its connection to F2

Far-off display RD2 is able to display data of inductive flowmeter F2. Data are transferred by simple-pair wires 2 x 0,35 mm. It doesn't have to be shielded.

Connection with electronic of device	pair wires, eventually twisted
Maximum wire lenght	200 m
Data transfer speed	2400 bit/s
Power supply	230V/50Hz, 2,5VA

Connect RD2 to F2 – simple pair wires to the TxD connectors on the board of F2. Two wired supply connection 230V to the triple pole connector.

After connecting to the power supply WAITING FOR CONNECTION will be shown. When the display is connected to the switched-on F2 electronics its serial number is displayed. After pressing the button other values will display(see brief description bellow). If you want to switch off displaying serial number or negative volume, you have to set jumper like it is described bellow. Displayed units can also be changed by changing jumpers settings.

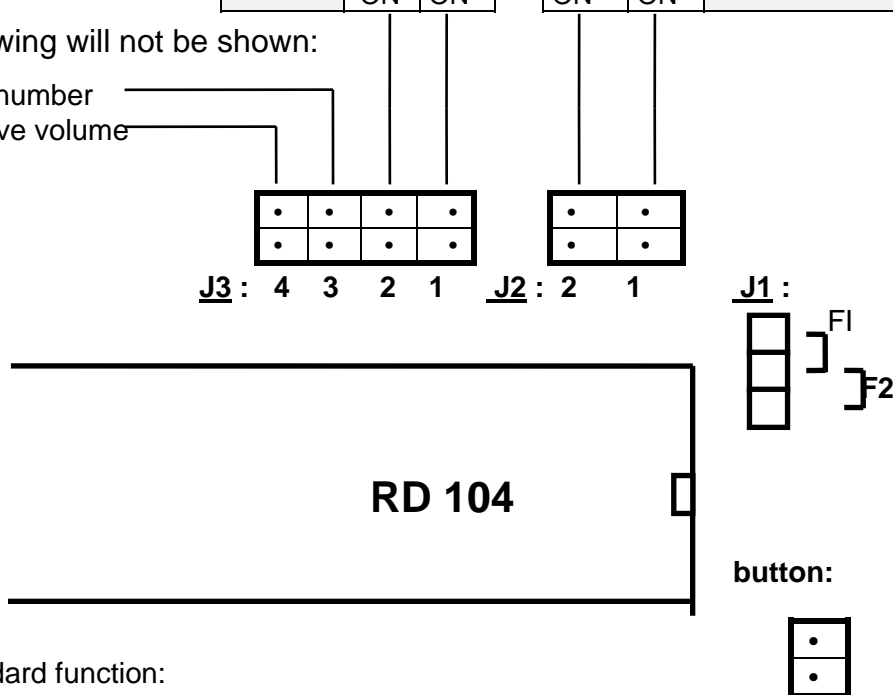
To set jumpers, back cover has to be removed (**ATTENTION!!!, disconnect power supply**).

### FUNCTION OF JUMPERS (on the board of electronics RD2)

l/s	OFF	OFF		OFF	OFF	flowmeter H2
m <sup>3</sup> /h	OFF	ON		<b>OFF</b>	<b>ON</b>	<b>flowmeter F2/F1</b>
m <sup>3</sup> /min	ON	OFF		ON	OFF	calorimeter H2/H1
-	ON	ON		ON	ON	

If ON, following will not be shown:

- serial number
- negative volume

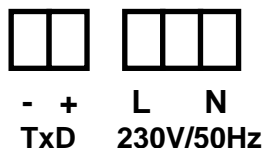


Button standard function:

#### Flowmeter F2

1. Serial number (can be switched off - J3/3)
2. Volume and instant flow
3. Negative volume (can be switched off - J3/4)
4. Working time

### Back side connectors



Connect to connectors of **F2**

Connect two wired supply connection